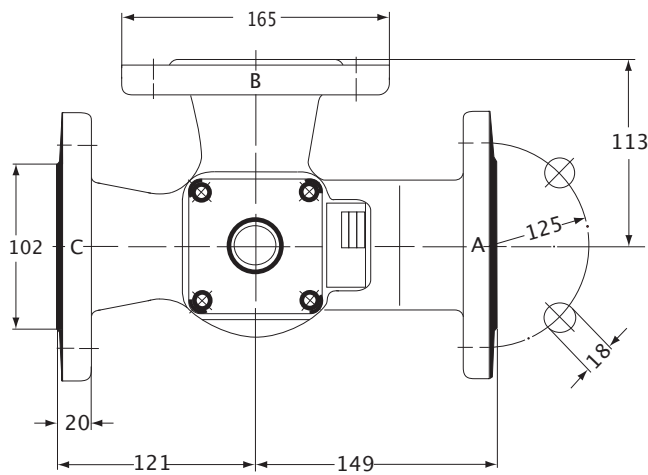
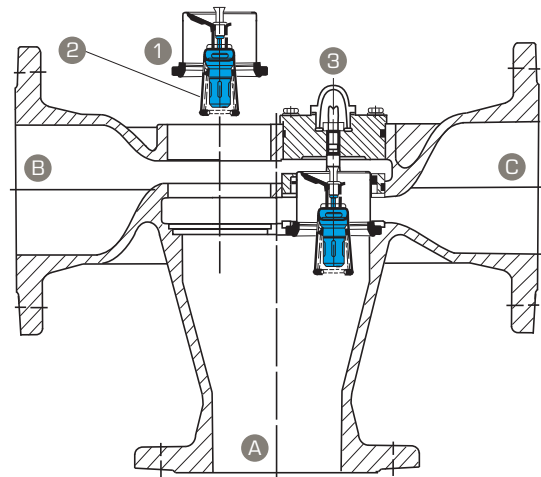


COOLANT TEMPERATURE REGULATORS WITH SLEEVE VALVE THERMOSTAT DRAWING

Type 1: Coolant temperature regulators with replacable sleeve valve thermostat insert



Type X3.180.*1.000, plan view



Type X3.280.*1.000, cut

- | | |
|------------------------------------|------------|
| 1 Sleeve valve thermostat insert | A Engine |
| 2 Thermostatic element | B Bypass |
| 3 Sight glass (or adjusting screw) | C Radiator |